

## WORKSHEET

**Name: Rajdeep jaiswal**

**UID: 20BCS2761**

**Class: 26B**

**Semester: 2<sup>nd</sup>**

**Branch = cse(B.TECH)**

**D.O.P- 9/3/2021**

**Task: Hands-on session on Breadboard and Simulation Software.**

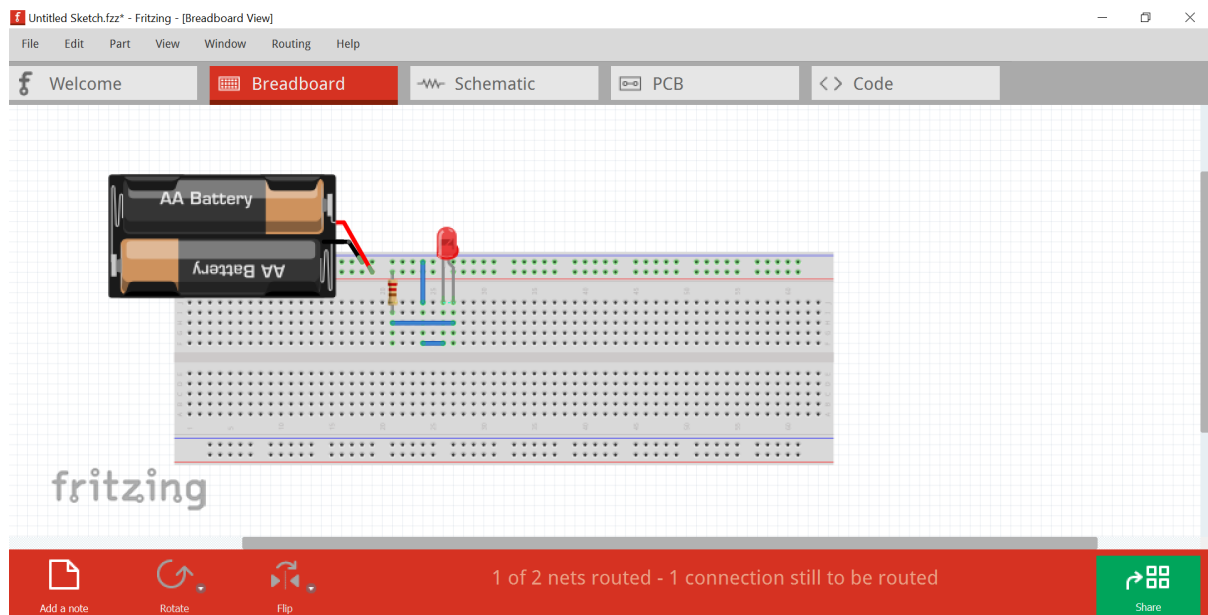
### Requirements:

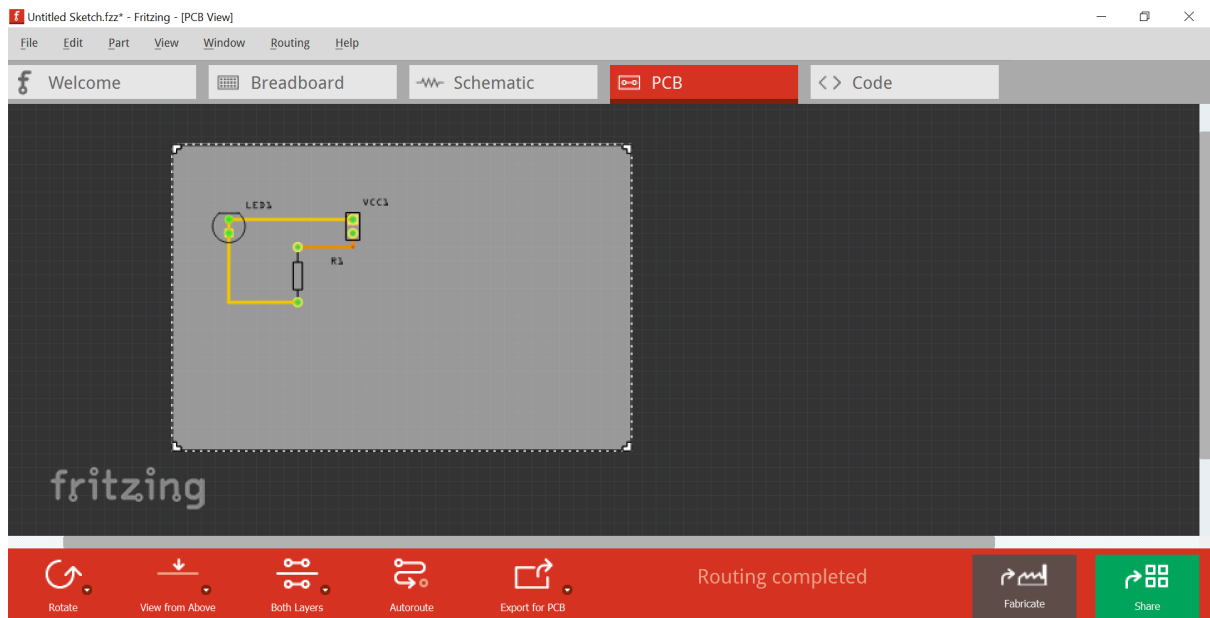
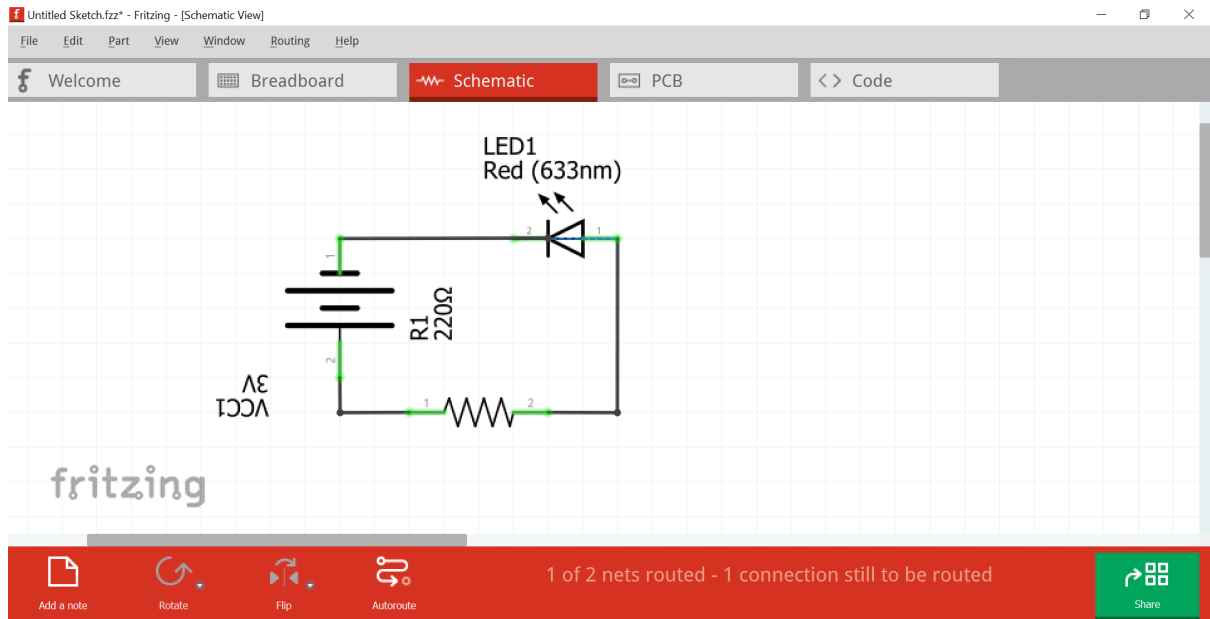
Write the apparatus/components/equipment requirements here.

- PC with Arduino
- Connecting Wires
- Breadboard
- Resistances

### Circuit Diagram:

*Paste the snapshot of the circuit from Fritzing.*





**Code (if any):**

NA:

**Outcome:**

Write your observations and learnings here.

- Understand basic blocks of Internet of things.
- Establish an interface between embedded IoT system and the physical world through sensors, to read the state of the world, and actuators, to change the state of the world.

